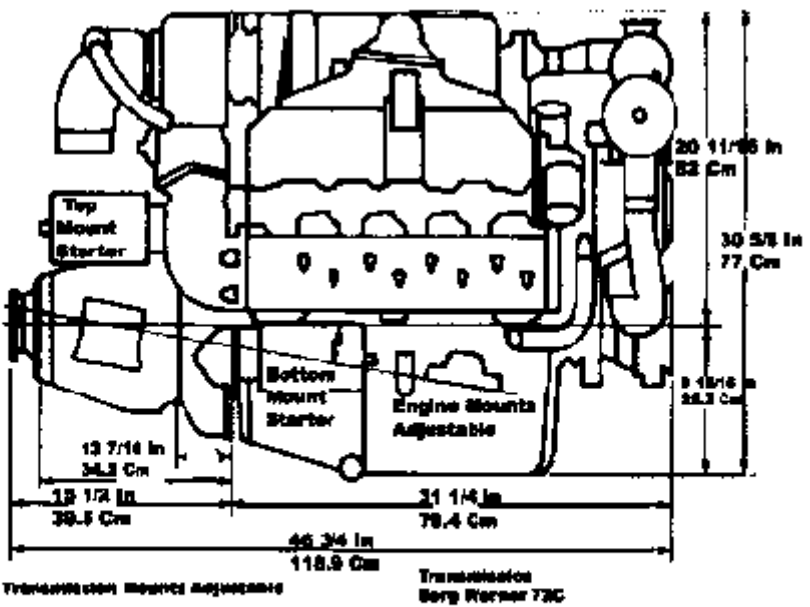
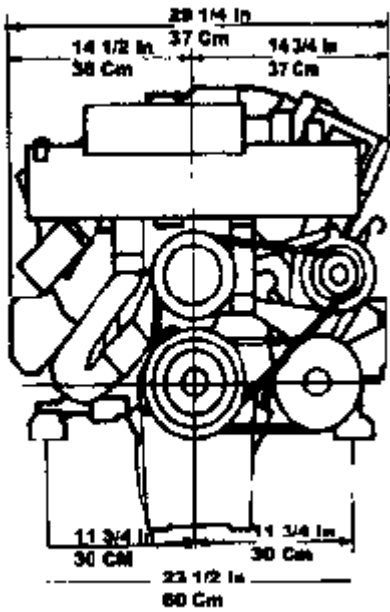


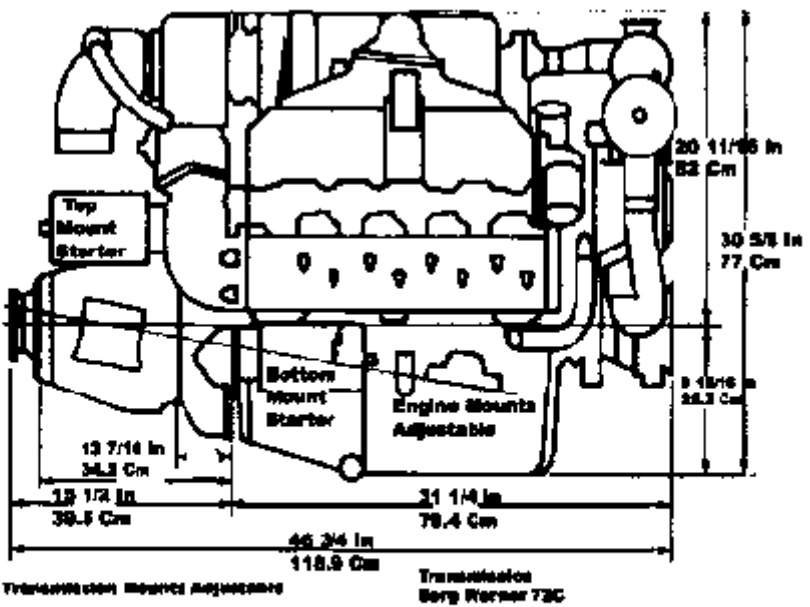
BACK



Specifications and drawings should not be used for engineering purposes.



BACK



Specifications and drawings should not be used for engineering purposes.